

13ACX-XXX-230-03(TARGET)							
13ACX	-018	-024	-030	-036	-042	-048	-060
°F (°C) ¹	Liquid / Suction	Liquid / Suction	Liquid / Suction	Liquid / Suction	Liquid / Suction	Liquid / Suction	Liquid / Suction
	TXV System Only- Liquid Line (±10 psig) / Vapor Line (±5 psig)						
65 (18)	226 / 139	231 / 137	242 / 140	250 / 130	238 / 136	252 / 134	244 / 129
70 (21)	241 / 140	247 / 138	261 / 141	270 / 133	255 / 138	264 / 136	264 / 130
75 (24)	260 / 142	267 / 140	280 / 142	293 / 134	274 / 140	288 / 141	286 / 131
80 (27)	282 / 143	292 / 142	301 / 143	305 / 137	295 / 142	301 / 141	309 / 132
85 (29)	303 / 144	314 / 143	322 / 144	333 / 140	317 / 144	325 / 141	331 / 134
90 (32)	326 / 145	338 / 144	345 / 145	358 / 141	343 / 144	352 / 142	353 / 129
95 (35)	350 / 146	363 / 144	376 / 146	384 / 142	370 / 145	378 / 144	381 / 137
100 (38)	375 / 147	389 / 145	404 / 147	412 / 143	397 / 146	406 / 145	409 / 138
105 (41)	402 / 147	417 / 146	431 / 148	440 / 144	429 / 147	436 / 146	438 / 137
110 (43)	424 / 147	445 / 147	456 / 149	471 / 146	458 / 148	468 / 147	468 / 137
115 (45)	463 / 147	476 / 149	494 / 150	504 / 147	493 / 149	503 / 149	499 / 138

¹ Temperature of air entering outside coil.

System Operation

⚠ IMPORTANT

Some scroll compressor have internal vacuum protector that will unload scrolls when suction pressure goes below 20 psig. A hissing sound will be heard when the compressor is running unloaded. Protector will reset when low pressure in system is raised above 40 psig. **DO NOT REPLACE COMPRESSOR.**

The outdoor unit and indoor blower will cycle on and off as dictated by demands from the room thermostat. When the thermostat's blower switch is in the **ON** position, the indoor blower will operate continuously.

HIGH PRESSURE SWITCH (S4)

13ACX units are equipped with a high-pressure switch that is located in the liquid line of the compressor as illustrated in figure on page 2 and figure 14 for the location of the manual reset button..

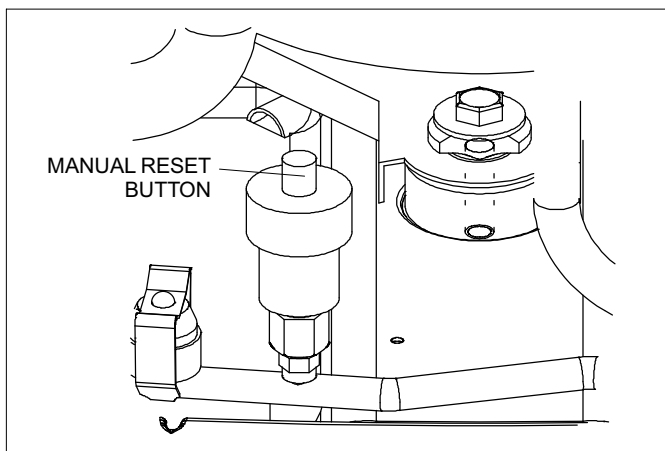


Figure 14. High Pressure Switch (S4) Manual Reset

The switch is a Single Pole, Single Throw (SPST), manual-reset switch which is normally closed and removes power from the compressor when discharge pressure rises above factory setting at 590 ± 10 psi. The manual-reset button can be identified by a red cap that is press to preform the reset function.

Maintenance

⚠ WARNING



Electric shock hazard. Can cause injury or death. Before attempting to perform any service or maintenance, turn the electrical power to unit OFF at disconnect switch(es). Unit may have multiple power supplies.

⚠ WARNING

Improper installation, adjustment, alteration, service or maintenance can cause personal injury, loss of life, or damage to property.

Installation and service must be performed by a licensed professional installer (or equivalent) or a service agency.

Maintenance and service must be performed by a qualified installer or service agency. At the beginning of each cooling season, the system should be checked as follows:

Outdoor Unit

1. Outdoor unit fan motor is pre-lubricated and sealed. No further lubrication is needed.
2. Visually inspect all connecting lines, joints and coils for evidence of oil leaks.
3. Check all wiring for loose connections.
4. Check for correct voltage at unit (unit operating).
5. Check amp draw on outdoor fan motor.

Motor Nameplate: _____ Actual: _____

6. Inspect drain holes in coil compartment base and clean if necessary.

NOTE - If insufficient cooling occurs, the unit should be gauged and refrigerant charge should be checked.

Outdoor Coil

Clean and inspect outdoor coil (may be flushed with a water hose). Ensure power is off before cleaning.

NOTE — It may be necessary to flush the outdoor coil more frequently if it is exposed to substances which are corrosive or which block airflow across the coil (e.g., pet urine, cottonwood seeds, fertilizers, fluids that may contain high levels of corrosive chemicals such as salts)

Sea Coast — Moist air in ocean locations can carry salt, which is corrosive to most metal. Units that are located near the ocean require frequent inspections and maintenance. These inspections will determine the necessary need to wash the unit including the outdoor coil. Consult your installing contractor for proper intervals/procedures for your geographic area or service contract.

Indoor Unit

1. Clean or change filters.
2. Lennox blower motors are prelubricated and permanently sealed. No more lubrication is needed.
3. Adjust blower speed for cooling. Measure the pressure drop over the coil to determine the correct blower CFM. Refer to the unit information service manual for pressure drop tables and procedure.
4. *Belt Drive Blowers* - Check belt for wear and proper tension.
5. Check all wiring for loose connections.
6. Check for correct voltage at unit. (blower operating)
7. Check amp draw on blower motor.

Motor Nameplate: _____ **Actual:** _____.

Indoor Coil

1. Clean coil if necessary.
2. Check connecting lines, joints and coil for evidence of oil leaks.
3. Check condensate line and clean if necessary.

Start-Up and Performance Checklist			
Job Name _____	Job no. _____	Date _____	
Job Location _____	City _____	State _____	
Installer _____	City _____	State _____	
Unit Model No. _____	Serial No. _____	Service Technician _____	
Nameplate Voltage _____			
Rated Load Ampacity _____	Compressor _____	Outdoor Fan _____	
Maximum Fuse or Circuit Breaker _____			
Electrical Connections Tight? <input type="checkbox"/>	Indoor Filter clean? <input type="checkbox"/>	Supply Voltage (Unit Off) _____	
Indoor Blower RPM _____	S.P. Drop Over Indoor (Dry) _____	Outdoor Coil Entering Air Temp. _____	
Discharge Pressure _____	Suction Pressure _____	Refrigerant Charge Checked?	<input type="checkbox"/>
Refrigerant Lines: - Leak Checked? <input type="checkbox"/>		Properly Insulated? <input type="checkbox"/>	Outdoor Fan Checked? <input type="checkbox"/>
Service Valves: --- Fully Opened? <input type="checkbox"/>		Thermostat	
Caps Tight? <input type="checkbox"/>		Calibrated? <input type="checkbox"/>	Properly Set? <input type="checkbox"/>
Voltage With Compressor Operating _____		Level? <input type="checkbox"/>	